

6173 SERIES SD MEMORY CARD CONNECTOR(PUSH/PUSH TYPE)

1.MATERIAL

SHELL: STAINLESS STEEL
 INSULATION: HIGH TEMPERATURE THERMOPLASTIC. UL94V-0.
 EJECTOR: HIGH TEMPERATURE THERMOPLASTIC. UL94V-0.
 SIGNAL TERMINAL: COPPER ALLOY
 CARD DETECT TERMINAL: COPPER ALLOY
 WRITE PROTECT TERMINAL: COPPER ALLOY
 COMMON TERMINAL: COPPER ALLOY
 COIL SPRING: SWP

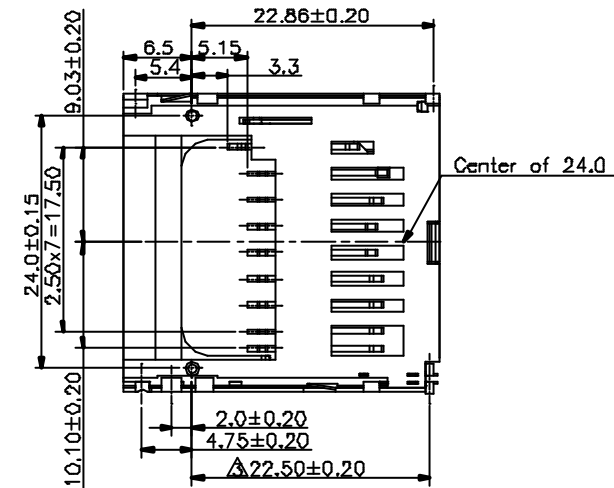
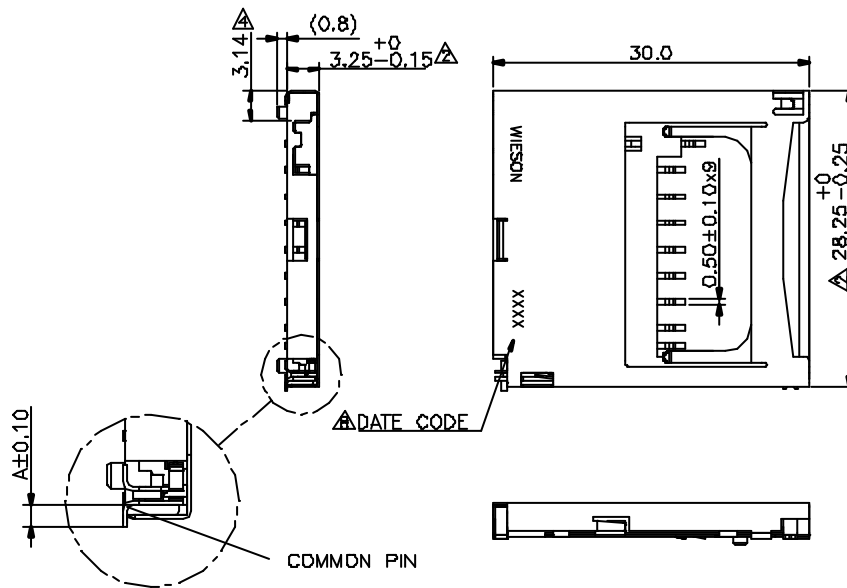
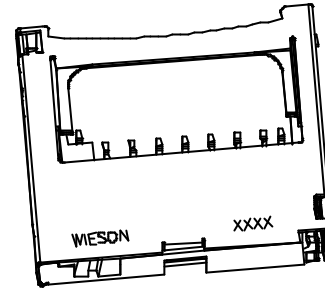
2.TERMINAL PLATING

SELECTIVE Au IN CONTACT AREA,
 Δ Sn/Pb(FOR 6173-15****) OR Sn
 (FOR G6173-15****) IN SOLDER TAIL AREA,

3.THE FUNCTIONS OF THE CONNECTOR ARE:

ATTACHING AND FIXING THE CARD.
 ELECTRICAL INTERCONNECTING THE CARD TO THE SYSTEM BOARD.
 WRITE PROTECT & CARD DETECT INDICATION.
 OPTION SWITCH ON/OFF POWER SUPPLY.
 PROTECTION AGAINST CARD INVERSE INSERTION.

REV	DATE	DESCRIPTION	ECN NO.	NAME
A	02.07.19	NEW RELEASE		CARTIS
C	03.01.06	Δ MODIFY	ID301002	CHRIS
D	03.03.05	Δ MODIFY	ID303001	CHRIS
E	03.03.18	Δ MODIFY	AK0303006	LXH
F	03.09.18	Δ MODIFY	AK0309007	WGCH
G	04.03.03	Δ MODIFY	AK0403007	WGCH
H	04.07.08	Δ ADD PLATED OPTION ADD GREEN OPTION	AK0407003	XZ
I	05.01.05	Δ ADD DATE CODE	CECRO4000917	WGCH



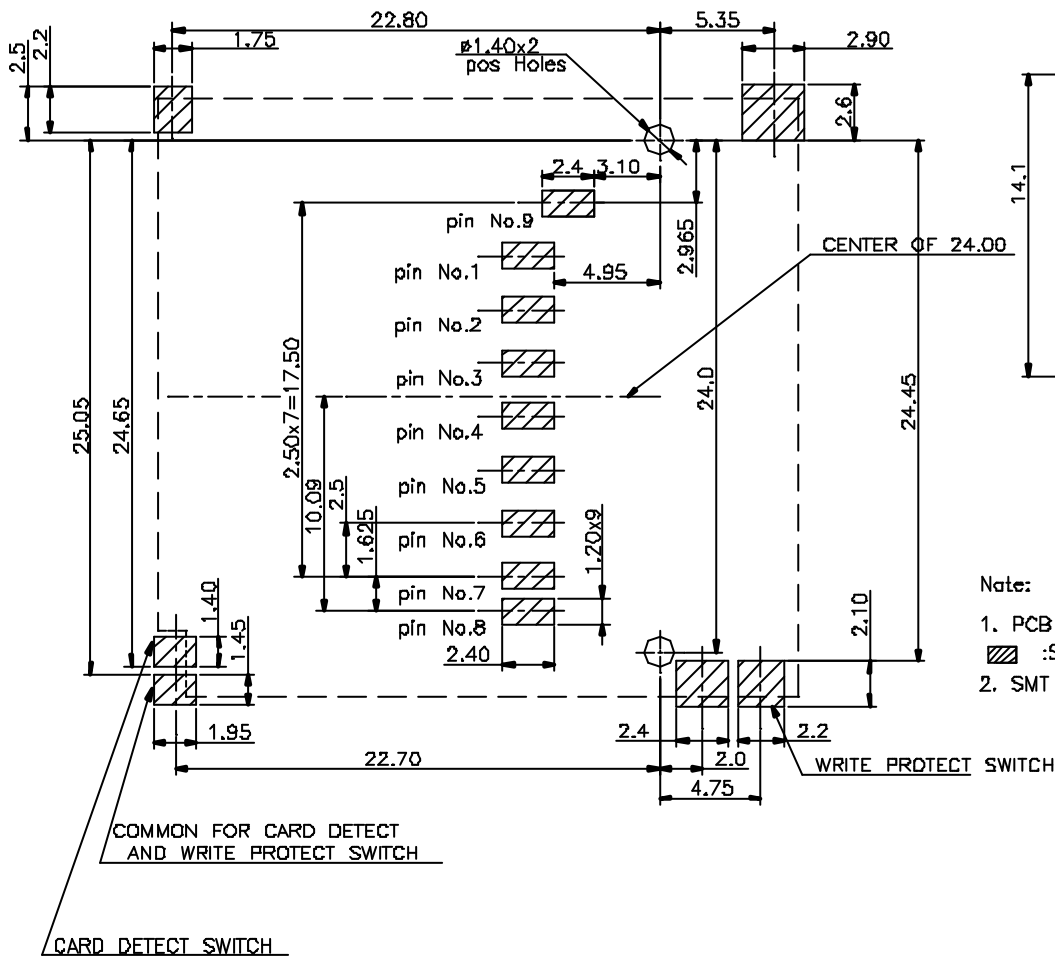
GENERAL TOLERANCE ±0.25mm	WIESON TECHNOLOGIES CO., LTD	PART NO.: Δ *6173-15****	
GENERAL ANGLE TOLERANCE ±3°		DRAWN BY CARTIS(WST)	DRAWING NO. *6173-151
	CHECKED BY JIMMY	DRAWING SIZE 2 : 1	A3
	APPROVED BY KEVIN	UNIT mm	
	SORTING NO. WSC	PAGE 1 OF 3	

ISSUED

[ARTICLE:044033 V3]

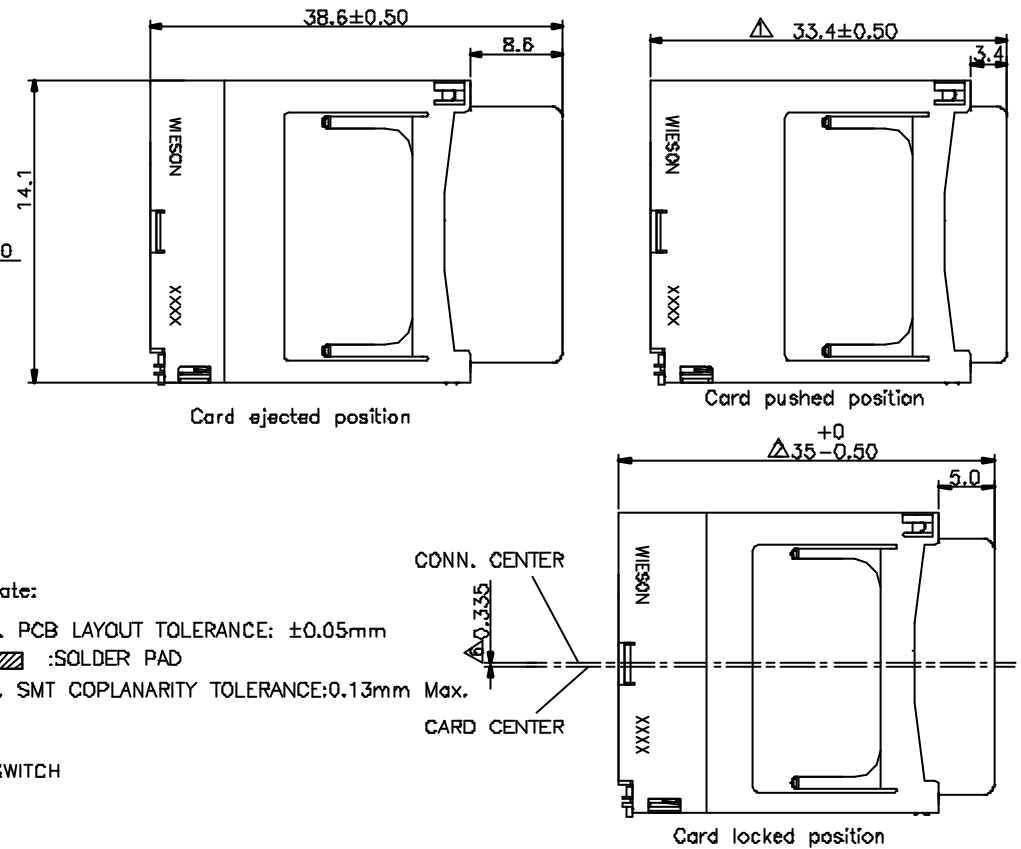
6173 SERIES SD MEMORY CARD CONNECTOR(PUSH/PUSH TYPE)

REV	DATE	DESCRIPTION	ECN NO.	NAME
A	02.07.19	NEW RELEASE		CARTIS
C	03.01.08	△ MODIFY	I0301002	CHRIS
D	03.03.05	△ MODIFY	I0303001	CHRIS
E	03.03.18	△ MODIFY	AK0303006	LXH
F	03.09.18	△ MODIFY	AK0309007	WGCH
G	04.03.03	△ MODIFY	AK0403007	WGCH
H	04.07.08	△ ADD PLATED OPTION △ ADD GREEN OPTION	AK0407003	XZ
I	05.01.05	△ ADD DATE CODE	CECRO4000917	WGCH



Note:

1. PCB LAYOUT TOLERANCE: $\pm 0.05\text{mm}$
2. SMT COPLANARITY TOLERANCE: 0.13mm Max.



GENERAL TOLERANCE $\pm 0.25\text{mm}$	WIESON TECHNOLOGIES CO., LTD WIESON	PART NO.: △ *6173-15****	
		DRAWN BY CARTIS(WST)	DRAWING NO. *6173-151
GENERAL ANGLE TOLERANCE $\pm 3^\circ$	CHECKED BY JIMMY	DRAWING SIZE 2 : 1 A3	
	APPROVED BY KEVIN	UNIT mm	
	SORTING NO. WSC	PAGE 2 OF 3	

ISSUED

[ARTICLE:044033 V3]

6173 SERIES SD MEMORY CARD CONNECTOR(PUSH/PUSH TYPE)

REV	DATE	DESCRIPTION	ECN NO.	NAME
A	02.07.19	NEW RELEASE		CARTIS
B	02.12.27	△ MODIFY	I0212004	CHRIS
C	03.01.06	△ MODIFY	I0301002	CHRIS
D	03.03.05	△ MODIFY	I0303001	CHRIS
E	03.03.18	△ MODIFY	AK0303006	LXH
F	03.09.18	△ MODIFY	AK0309007	WGCH
G	04.03.03	△ MODIFY	AK0403007	WGCH
H	04.07.08	△ ADD PLATED OPTION ADD GREEN OPTION	AK0407003	XZ
I	05.01.05	△ ADD DATE CODE	CECRO4000917	WGCH

4. ORDER INFORMATION

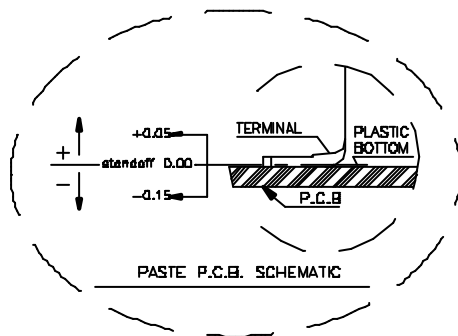
* 6173 - 15 ** **

" " : NORMAL PRODUCT
 △ "G" : GREEN PRODUCT

- 00: W/O WIESON LOGO COMMON PIN A=0.60
- △ 01: W/WIESON LOGO COMMON PIN A=0.60
- △ 02: W/O WIESON LOGO COMMON PIN A=0.95
- 03: W/WIESON LOGO COMMON PIN A=0.95

- ~~01: TERMINAL PLATING:1u" min. Au, PACKING:TAPE&REEL, SHELL PLATING:Sn/Pb PLATING IN SOLDER TAIL AREA~~
- ~~02: TERMINAL PLATING:15u" min. Au, PACKING:TAPE&REEL, SHELL PLATING:Sn/Pb PLATING IN SOLDER TAIL AREA~~
- ~~11: TERMINAL PLATING:1u" min. Au, PACKING:TRAY, SHELL PLATING:Sn/Pb PLATING IN SOLDER TAIL AREA~~
- ~~12: TERMINAL PLATING:15u" min. Au, PACKING:TRAY, SHELL PLATING:Sn/Pb PLATING IN SOLDER TAIL AREA~~
- △ 21: TERMINAL PLATING:1u" min. Au, PACKING:TAPE&REEL, SHELL PLATING:3u" min. Au IN SOLDER TAIL AREA
- △ 22: TERMINAL PLATING:15u" min. Au, PACKING:TAPE&REEL, SHELL PLATING:3u" min. Au IN SOLDER TAIL AREA
- △ 31: TERMINAL PLATING:1u" min. Au, PACKING:TRAY, SHELL PLATING:3u" min. Au IN SOLDER TAIL AREA
- △ 32: TERMINAL PLATING:15u" min. Au, PACKING:TRAY, SHELL PLATING:3u" min. Au IN SOLDER TAIL AREA

△ 5. GREEN PRODUCT'S SHELL: 3u" Au PLATED



GENERAL TOLERANCE ±0.25mm GENERAL ANGLE TOLERANCE ±3° ⊕	WIESON TECHNOLOGIES CO., LTD		PART NO.: △*6173-15****	
	DRAWN BY	CARTIS(WST)	DRAWING NO.	*6173-151
	CHECKED BY	JIMMY	DRAWING SIZE	2 : 1 A3
	APPROVED BY	KEVIN	UNIT	mm
⊕	SORTING NO.	WSC	PAGE	3 OF 3

ISSUED

[ARTICLE:044033 V3]